

# SPECIFICATION

## MODEL

### CX-531N

IMPEDANCE/50 Ohms.

#### VOLTAGE

ACTUATION DATA :

VOLTAGE :

Pull in ..... 10Vdc - 14Vdc (12Vdc Nominal)

Drop out ..... 3.0Vdc Min.

Current ..... 160mA @12Vdc 20°C

Coil resistance ... 75 Ohms 10% 20°C

#### SWITCHING TIME

SWITCHING TIME :

Pull in ..... 20ms max.

Drop out ..... 15ms max.

LIFE EXPECTANCY ... 1,000,000. Operation min.

#### MECHANICAL

MECAHANICAL :

Contact arrangement ..... SPDT

Operational temperature ..... -25°C - + 50°C (Max Temperature Rise:20c)

Weight ..... Approx 200gs.

Mounting ..... Two screws

Cable connections ..... 1 N Type female connector,  
Directly connect cables.

#### ELECTRICAL CHARACTERISTICS

ELECTRICAL CHARACTERISTICS :

Frequency MHz	VSWR Max	Isolation -dB(min)	Ins.Loss -dB(max)	IN PUT
				RF Power Kw
50	1.01	65	0.15	0.2
150	1.02	65	0.15	0.2
500	1.03	40	0.2	0.15
1000	1.05	20	0.25	0.1
1500	1.2	15	0.3	0.1

#### COIL CHARACTERISTICS

COIL CHARACTERISTICS :

Nominal Voltage  
12Vdc

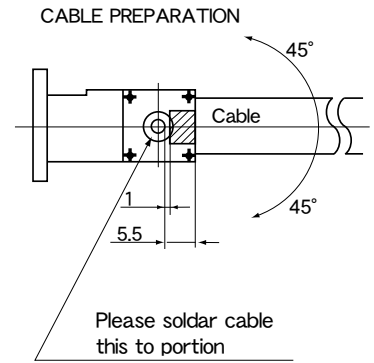
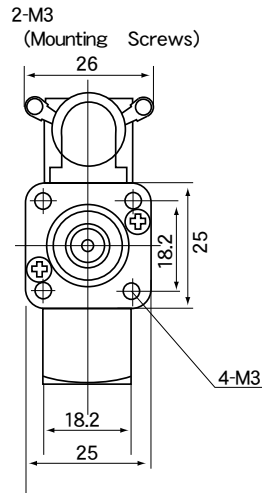
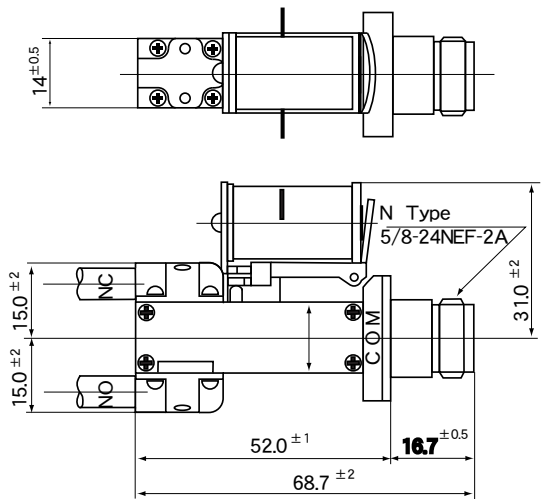
Voltage Range  
10Vdc - 14Vdc

Resistance Ohms  
104 ±10% 20°C

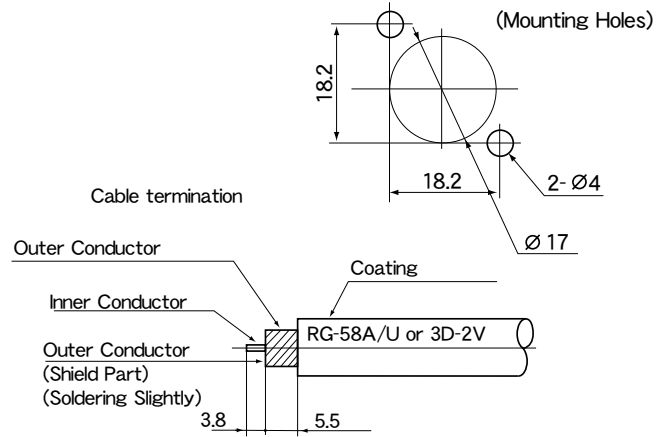
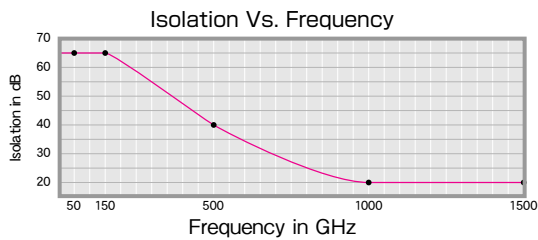
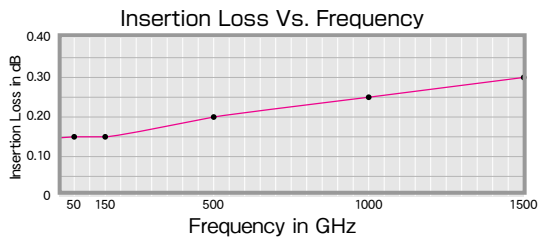
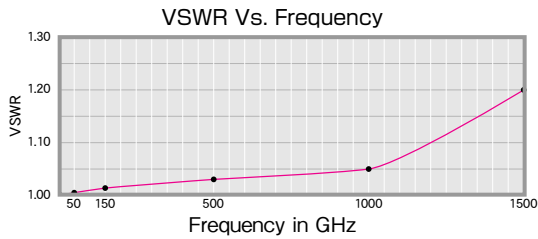
Note : Other voltages are also available at option.

# DIMENSIONS

■ SCALE m/n



# Typical Operating Curves



# Schematic

