

SPECIFICATION

MODEL

CZX-3500

IMPEDANCE /50 Ohms.

VOLTAGE

ACTUATION DATA :

VOLTAGE :

Pull in 10Vdc - 14Vdc (12Vdc Nominal)

Drop out 3.0Vdc Min.

Current 230mA @12Vdc 20°C

Coil resistance ... 52 Ohms ± 10% 20°C

SWITCHING TIME

SWITCHING TIME :

Pull in 20ms max.

Drop out 18ms max.

LIFE EXPECTANCY ... 1,000,000. Operation min.

MECHANICAL

MECAHANICAL :

Contact arrangement SPDT

Operational temperature - 25°C to + 50°C (Max Temperature Rise:20c)

Weight Approx 320gs.

Mounting Four screws

Cable connections 3 N Type female connectors.

ELECTRICAL CHARACTERISTICS

ELECTRICAL CHARACTERISTICS :

Frequency MHz	VSWR Max	Isdation -dB(min)	IrsLoss -dB(max)	IN PUT
				RF Power W(PEP)
50	1.008	65	01	1000
150	1.01	65	01	1000
500	1.03	65	02	800
1000	1.06	65	025	600
2000	1.07	65	03	250
3000	1.1	60	03	50
4000	1.15	55	035	15

COIL CHARACTERISTICS

COIL CHARACTERISTICS :

Nominal Voltage
12Vdc

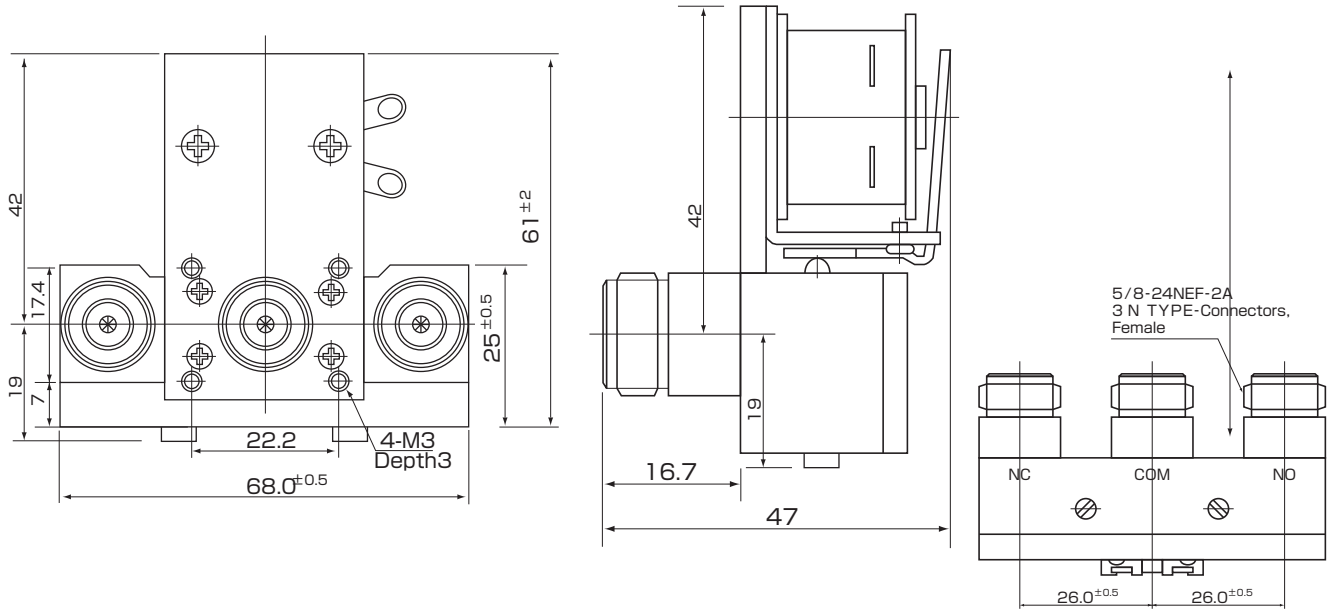
Voltage Range
10Vdc - 14Vdc

Coil Resistance Ohms
52 ±10% 20°C

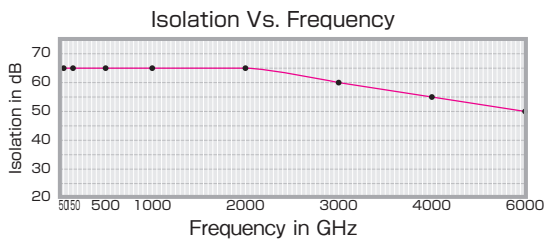
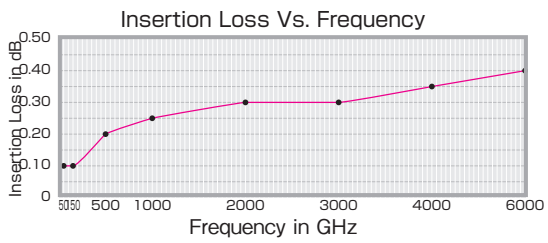
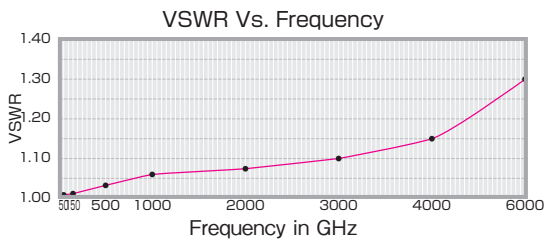
Note : Other voltages are also available at option.

DIMENSIONS

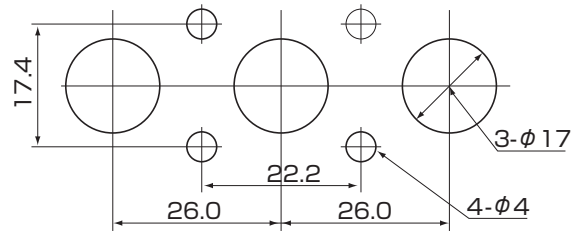
SCALE m/n



Typical Operating Curves



(Mounting Holes)



Schematic

